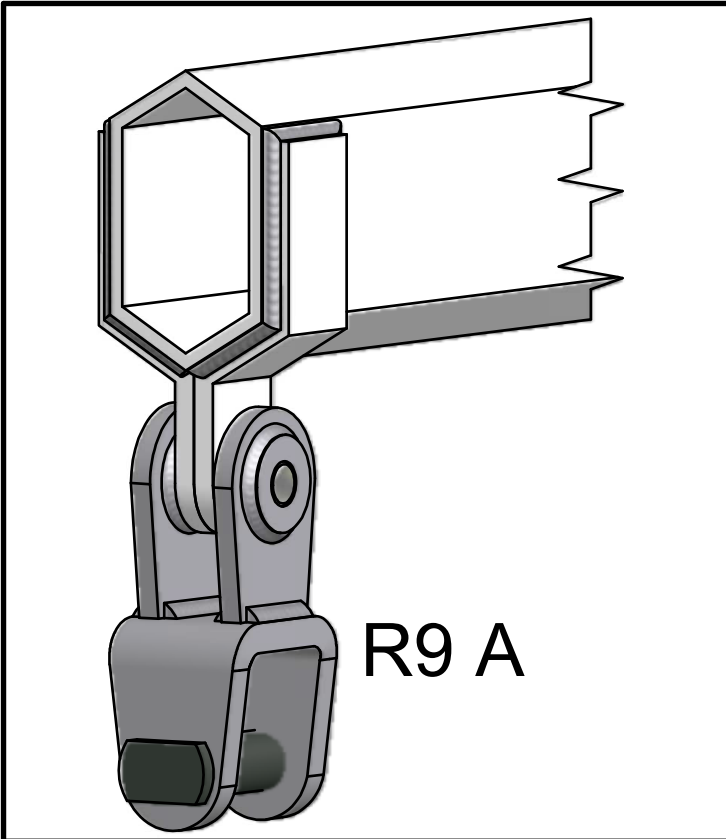


N°Ord:

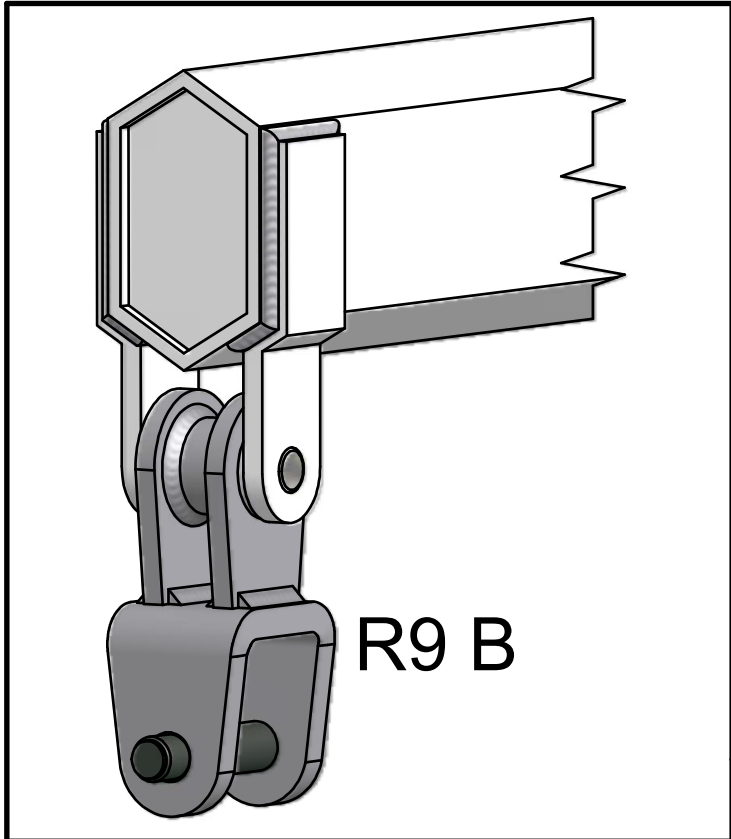
Cliente-Customer:

Modello/Model:

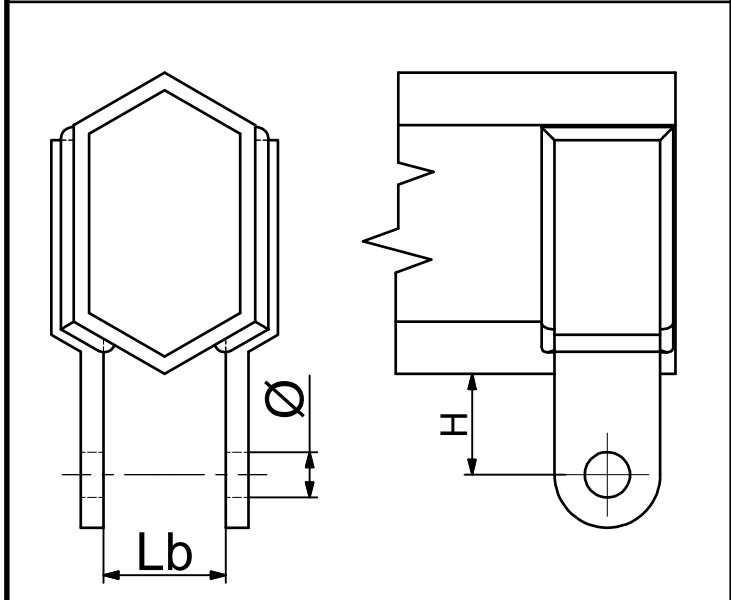
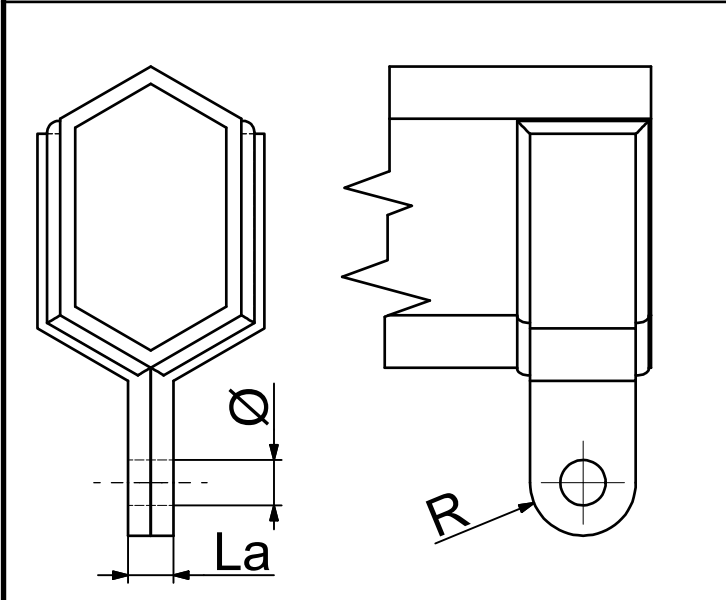
Modello gru - Crane model:



R9 A



R9 B



\varnothing	
La	
R	

\varnothing	
Lb	
H	